

RB161M-20

SCHOTTKY BARRIER RECTIFIER

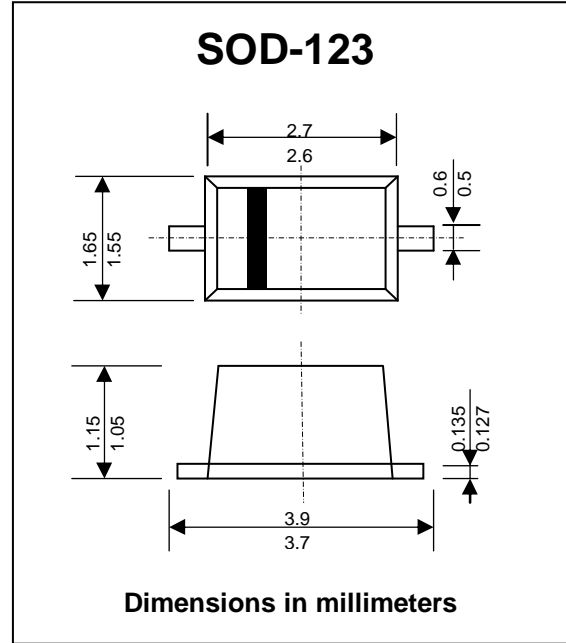
V_{RM} : 25 Volts
 I_o : 1.0 Ampere

FEATURES :

- * Low Forward Voltage
- * High reliability
- * Pb / RoHS Free

MECHANICAL DATA :

- * Case : SOD-123
- * Weight : 0.01 gram (approximately)



MAXIMUM RATINGS AND ELECTRICAL CHARACTERISTICS

Rating at 25°C ambient temperature unless otherwise specified.

RATING	SYMBOL	VALUE	UNIT	
Maximum Repetitive Peak Reverse Voltage	V_{RM}	25	V	
Maximum Reverse Voltage(DC)	V_R	20	V	
Maximum Average Rectified Forward Current	I_o	1.0	A	
Maximum Forward Current Surge Peak	I_{FSM}	30	A	
Maximum Forward Voltage	at $I_F = 0.5 A$	V_{F1}	0.32	V
	at $I_F = 1.0 A$	V_{F2}	0.35	V
Maximum Reverse Current at	at $V_R = 20V$	I_R	700	μA
Junction Temperature	T_J	125	°C	
Storage Temperature Range	T_{STG}	- 40 to + 125	°C	

Note :

(1) Mounted on epoxy board. 180° Half sine wave.

RATING AND CHARACTERISTIC CURVES (RB161M-20)

FIG.1 - FORWARD CURRENT DERATING CURVE

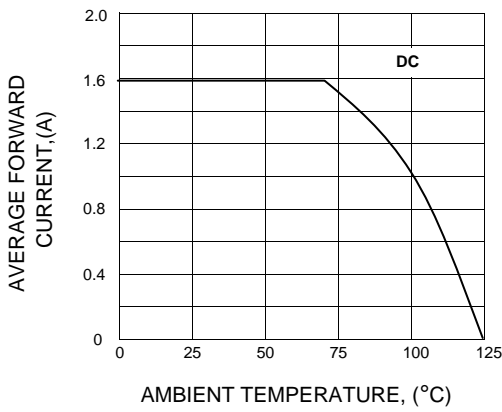


FIG.2 - IFSM - CYCLE CHARACTERISTICS

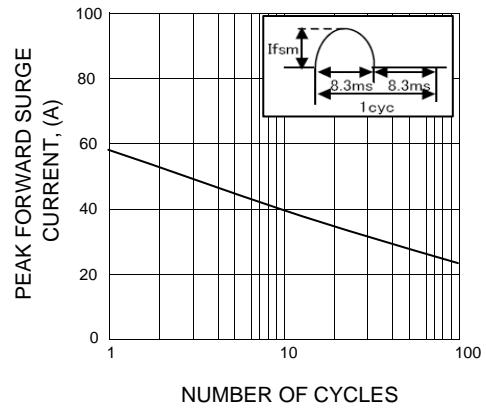


FIG.3 - VF - IF CHARACTERISTICS

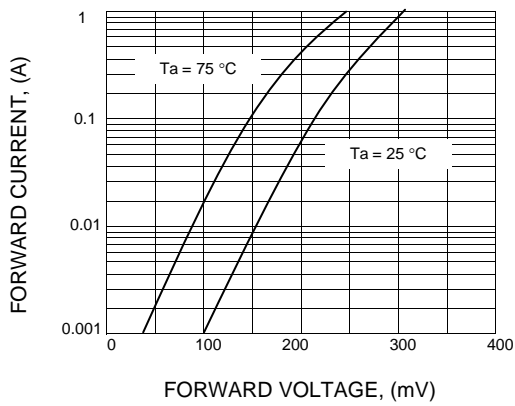


FIG.4 - VR - IR CHARACTERISTICS

